

FULL-FRAME END-DUMP TRAILER (LONG)



SPEC
SHEET



LET'S PULL TOGETHER

FULL-FRAME (LONG)

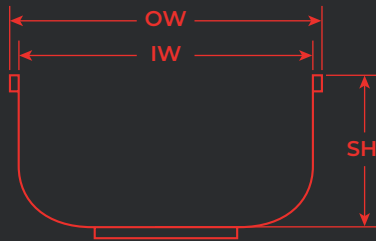
Our full-frame trailers are specifically designed for heavy-duty hauling. They feature flat-bottom tubs that accommodate more cubic yards than traditional half-round bottoms. This design maximizes volume capacity, making it ideal for transporting large quantities of materials. While these trailers are heavier, the added weight contributes to their durability and ability to handle even the most challenging loads. Available in various lengths to suit different operational needs, our full-frame trailers are the go-to choice for those who require a durable hauling solution.

SPECS

- 32' to 36' long
- Flat-bottom tubs
- 60" to 72" wall height

FEATURES

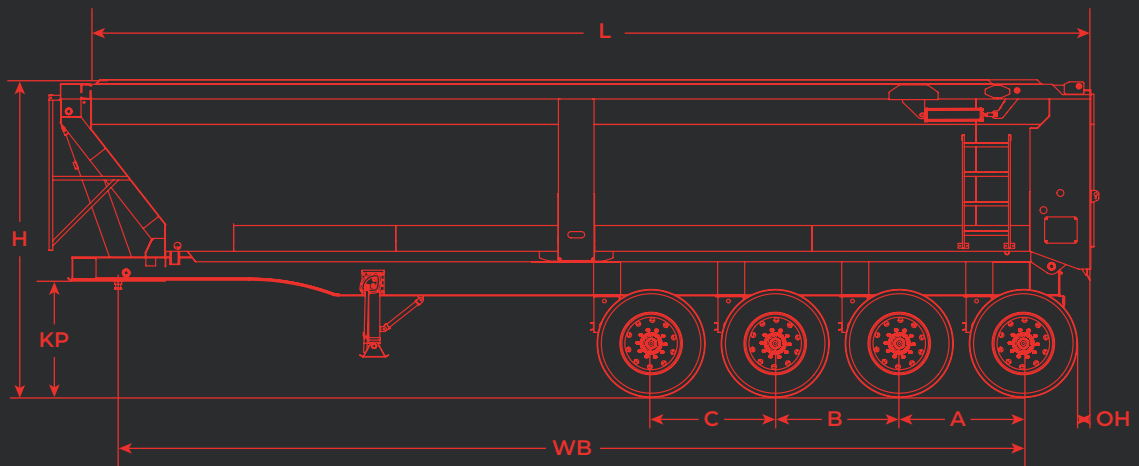
- Cut-resistant construction tires
- Electrical protected by steel conduit
- Ultra-durable MICI paint
- Custom bushings take and hold grease
- No doghouse for easier cleanout
- Tri-axle and quad-axle available
- Built heavy-duty to haul more



Flat-Bottom Tub
HARDOX® 500
Floor and Side
Wall Material



Chassis Taillights
Standard on all
Family models



Full-Frame (Long)
Designed for heavy
duty hauling

FULL FRAME END-DUMP TRAILER (LONG)—OVERALL LENGTH, WALL HEIGHT, AND SUSPENSION OPTIONS

Length (L)	Feet	32'									34'						36'								
Sidewall Height (SH)	Inches	60"			66"			72"			60"		66"		72"		66"			72"					
Volume	Cu Yds	40.3"			44.7"			50"			42.9"		47.5"		52.1"		50.4"			55.3"					
Weight ⁵	lbs	18,100	20,200	21,500	18,700	20,600	22,500	19,100	21,000	23,000	19,800	20,700	22,700	19,200	21,100	23,100	19,250	21,100	23,100	21,000	23,400	25,400	21,500	23,400	25,400
Number of Axles	#	2	3	4	2	3	4	2	3	4	2	3	4	2	3	4	2	3	4	2	3	4	2	3	4
King pin to center of front most axle	Inches	294.0"	243.5"	193.0"	294.0"	243.5"	193.0"	294.0"	243.5"	193.0"	318.0"	267.5"	217.0"	318.0"	267.5"	217.0"	318.0"	267.5"	217.0"	341.0"	291.5"	241.0"	341.0"	291.5"	241.0"
King pin to center of rear axle (WB)	Inches	344.5"									368.5"						392.5"								
King pin to center of the two rear axles	Inches	319.2"									343.2"						367.2"								
Unloaded Axle Spacing (Tandem) (WB-A)	Inches	50.5"																							
Unloaded Axle Spacing (Triple) (WB-B)	Inches	NA	50.5"	50.5"	NA	50.5"	50.5"	NA	50.5"	50.5"	NA	50.5"	50.5"	NA	50.5"	50.5"	NA	50.5"	50.5"	NA	50.5"	50.5"	NA	50.5"	50.5"
Unloaded Axle Spacing (Quad) (WB-C)	Inches	NA	NA	50.5"	NA	NA	50.5"	NA	NA	50.5"	NA	NA	50.5"	NA	NA	50.5"	NA	NA	50.5"	NA	NA	50.5"	NA	NA	50.5"

STANDARD FOR ALL MODELS

Tub	Chasis	Tailgate
Shape: Flat-Bottom	Suspension: AR (Air Ride)	Gate Angle: Straight Back Only
Outside Width (OW): 96"	Suspension Brand: Ridewell	Material: 3/16" HARDOX® 450
Inside Width (IW): 88"	Frame Beam: W16 X 313	
Top Rail: 6" x 3" x 1/4"	Tire Width: 96"	
Floor Material: HARDOX® 450	Lift Cylinder ² : Hyva A8-5-255 Hyva A8-5-269 Hyva A8-5-281	
Wall Material: HARDOX® 450	King Pin/5th Wheel Plate Thickness: 3/8"	
Wall Thickness: 1/4"	Unloaded KP: 46.75"	
Floor Support ² : HD	Nominal Under Ride/Overhang: 11R22.5 Tires - 7.75"	
Floor Crossmember Spacing: 16"	ABS: 4S/2M	
Mudflaps: Across rear of chassis	Axle: 25K GAWR P Spindle	
Side Fenders: ALUM/SS/STEEL - FULL LENGTH		
Front Ladder and Rear Ladder on Driver's side		

OPTIONS FOR ALL MODELS

Tub	Chasis	Tailgate
Length (L): 32', 34', 36'	Numer of Axles: 2, 3, or 4	Lift Options: Hydraulic or Pneumatic Highlift or Swing Gate
Sidewall Height ¹ (SH): 60", 72", 80"	Landing Gear (2 speed) ⁴ : STD or HD	
Floor Thickness: 0.250" or 0.313"	Coal Chute	
Side Fenders: ALUM/SS/STEEL - SPLIT OR REAR ONLY		
Overall Unloaded Height ³ (H): 122" - 134"		

Ask your salesperson about Aluminum frames for weight reductions from 500 – 3000lbs depending on length and configuration.

Ask your salesperson about tarps, steerable axles, and lift axle add ons.

- 1 - Sidewall Height of 60" only available on the 32' and 34' length models
- 2 - Floor support defined by crossmember sizing C4 x 5.4# Channel for stanard or 4" x 4" x 1/4" Structural Steel Tubing for Heavy Duty
- 3 - Overall height varies depending on wall height options
- 4 - STD landing gear rated for 50k lbs, HD landing gear rated for 62.5k lbs
- 5 - Weight as configured within 3%

ALL SPECS TO BE CONSIDERED REFERENCE, CONFIRM WITH YOUR SALESPERSON ON FINAL QUOTE SHEET



MTMTRAILERS.COM